

# 05 scan

Wireless  
midi controller

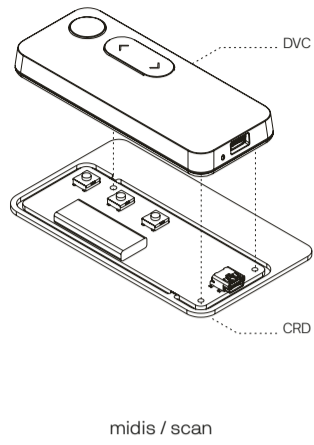
OW16MIDIS02DVC/CRD

CRD - Handle with care.  
ESD sensitive.

DVC - Aluminum body.  
Sexy to the core.

©2017 OWOW. All rights reserved.

**OWOW**



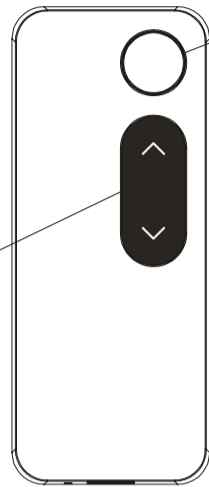
midis / scan

## One controller, two models

**scan** is a high quality wireless midi controller, available in two models. The DVC model, which has a high-end military grade aluminium casing, and the CRD model, which is a bare circuit board.

## Model overview

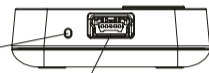
To explain the **scan**, we display the DVC model below. All functionalities of the DVC model are the same as those of the CRD model.



## Yellow

The **yellow button** enables you to turn your controller on and off, and to switch in between modes.

Press the up or down button to go to the next or previous octaves or to bend the pitch of your sound.



## Charging led

This led indicates the battery status.

- scan is charged and can be used.
- ◐ The battery is charging.
- ◑ The battery is low.

## Usb

Conveniently connect and charge your **scan** via mini usb-b cable.

## Hello

And welcome to the OWOW family. Congratulations with your new midi controller **scan**. Before you get started and enjoy the scan at home, in the studio, or live on stage, please check out this product leaflet to enjoy your instrument to the fullest. Below you can find all information needed to get you started right away.

## Connecting over bluetooth

**Intro** - Connecting your **scan** over bluetooth will only work with Mac and iOS devices, as they support midi over bluetooth at the moment.

### 1 Connect your Mac:

**Ow! Good to know!** To create a wireless connection with your Mac, it must be operating under OS X 10.10 Yosemite or later, and be compatible with Bluetooth 4.0.

### I. Turn on your scan

Hold the yellow button for one second to turn on your **scan**. The mode led will blink once, and the charging led will switch on, meaning your Mac can now detect the scan.

### II. Set the connection

In your Mac, open "Applications", "Utilities", start "Audio/MIDI Setup", select "Show MIDI Studio" from the "Window" menu.

Double-press the "Bluetooth" icon to open the Bluetooth Configuration window and click the Connect button for "**scan**".

### III. Scan, scan

## Connecting via usb

When you connect the **scan** via the usb cable, the mode led will blink once and the charging led will switch on, meaning your scan is on and connected.

Using the wob via usb, does not require any changes in audio midi settings. Plug and play.

### 2 Connect your iPad/iPhone:

**Ow! Good to know!** To create a wireless connection with an iPhone or iPad, it must be operating under iOS 8 or later, and be compatible with Bluetooth 4.0.

### I. Turn on your scan

Hold the yellow button for one second to turn on your **scan**. The mode led will blink once, and the charging led will switch on, meaning your iPad or iPhone can now detect the scan.

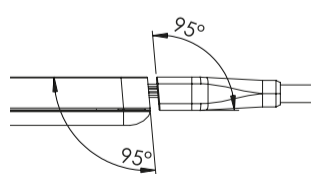
### II. Set the connection

Start an iOS application compatible with Apple Bluetooth Low Energy MIDI, like GarageBand for example, and then set up the Bluetooth connection in the app.

For the procedure on setting up the connection, refer to the manual for your app.

### III. Scan, scan

Once the **scan** is connected, you start in "Octave mode". Double press the yellow button to enter "Pitch mode".



## Utility

The **utility** software is a magical place where you can change and personalize all default settings, making the **scan** truly yours. The software is available for both Mac and Windows products and can be downloaded from our website. [www.owow.io](http://www.owow.io)

### Set range

Set the first note and determine the range of notes you will scan.

### Adjust pitch bend

Select which type of pitch bend you like, and determine the length and curve of your pitch bend.

led

### ● Power On/Off

Hold the yellow button for one second to connect and three seconds to disconnect over bluetooth. Or connect directly via usb.

### ◐ Sleep mode

Press once to enter sleep mode. The mode led will fade in and out slowly. Press again to wake up.

### Mode switch

Double press to toggle between modes.

### ● Octave mode

Press the up or down buttons to go to the next or previous octave.

### ◐ Pitch mode

Press the up or down buttons to bend the pitch of your sound.

## Led feedback

There are four types of led feedback, each indicating a specific mode or status:

- Bright led, constantly on.
- ◐ Blinking led, constantly blinking on and off.
- ◑ Pulse led, blinking three times then pause.
- ◒ Glowing led, slowly fading on and off.



.stl

## 3d print

As we strongly believe in 3d printing and its possibilities, we offer several 3d models at our website for you to download and print.

You can download 3d print files of our casings and add-ons from our website and print them yourself whenever the time is right. The future is nowow.

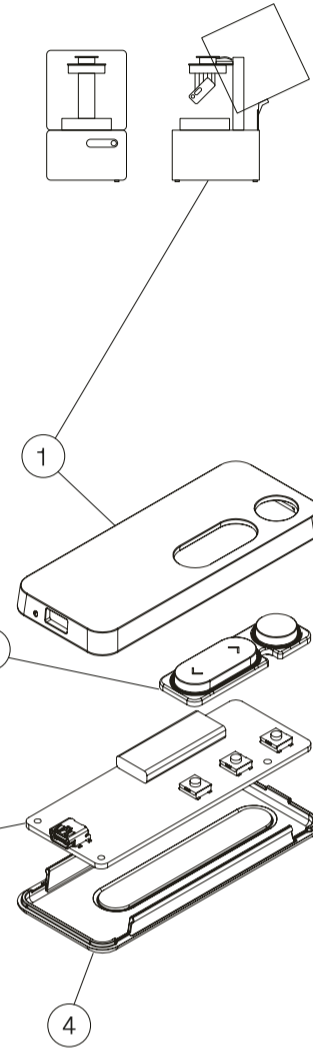
## A product build to print\*

**Less parts, less struggles**  
We advice to 3d print a casing for the CRD model over time, as sweaty hands can create shorts over time.

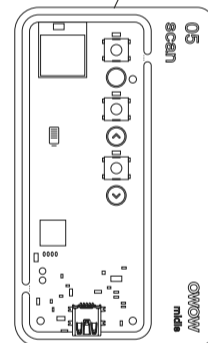
- 1 Top part of the casing.
- 2 Buttons.
- 3 Bare circuit board.
- 4 Bottom part of the casing, which snaps into the top part, not needing a single screw.

Visit our webpage for more information and guidance.

\*Please keep in mind all desktop 3d printers have their own resolution issues, flaws, crimps and tricks in order to get a workable result but will give you the DIY feeling you always wanted.

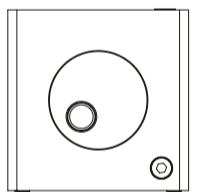


Downloads at [www.owow.io](http://www.owow.io)



## Add-ons

There are so many possible ways of using your **scan** when combining it with old or new products or musical instruments. For example, go full DIY mode and build your own digital organ, by looping your drawings on paper. Yes, combining high tech with low tech like never before.

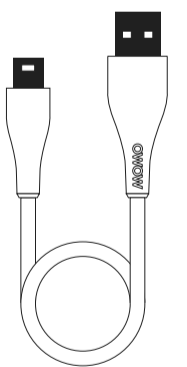


## Usb cable

Use the usb cable to connect or charge your **scan**. The OWOW cable is a high-speed 2.0 usb cable and come in two lengths.

One 150cm (58 inch) cable and one 30cm (12 inch) cable. Short cables can be pretty handy to avoid cable forrest. The OWOW usb cables are available in our webstore. For more information; [www.owow.io](http://www.owow.io)

\*One usb cable of choice is included when purchasing a DVC model.



## Precautions

### Location of use

Using the scan in the following locations can result in a malfunction:

- In direct sunlight
- Locations of extreme temperature or humidity;
- Excessively dusty or dirty locations;
- Locations of excessive vibration;
- Close to magnetic fields.

### Interference

Radios and televisions placed nearby may experience reception interference with other electrical devices. Operate this unit at a suitable distance from radios and televisions.

### Handling

To avoid breakage, do not apply excessive force to the switches or controls.

### Care

If the product becomes dirty, becomes of perspiration or whatever reason, wipe it with a clean dry cloth. Do not use liquid cleaners such as benzene or thinner, or cleaning compounds or flammable polishes.

### Keep this manual

After reading this product leaflet, please keep it for later reference or recreation.

On the backside of this leaflet you'll find a game waiting for you. Make sure you win.

### Foreign matters

Keep foreign matters away from this product. Never set any container with liquid in it near this equipment. If liquid gets into the equipment, it could cause a breakdown, fire, or electrical shock. Be careful not to let metal objects get onto or into the product.

### Usb

Make sure you use a usb port or other device which is able to charge with at least 200mA output.

## Disclaimer

Although OWOW will use all reasonable endeavours to ensure the accuracy and reliability of this product, neither OWOW nor any third party supplier will be liable for any loss or damage in connection with the sale or use of the product except for:

I. Personal injury caused by our negligence or that of our employees or agents when acting in the course of their employment with ourselves and;

II. Any other direct loss or damage caused by our gross negligence of wilful misconduct.

All express or implied conditions, warranties or undertakings (other than conditions, warranties or undertakings expressly stated, or implied by statute and which can not be excluded), whether oral or in writing, including warranties as to satisfactory quality and fitness for a particular purpose, are excluded.



Designed and engineered in the Netherlands by OWOW ©. Made in China.

## Get Social

If you like what we do and want to get social, please do so by checking out the following.

[instagram.com/owow\\_official](https://www.instagram.com/owow_official)

[twitter.com/owow\\_official](https://twitter.com/owow_official)

[facebook.com/theomnipresentworldofwizkids](https://www.facebook.com/theomnipresentworldofwizkids)

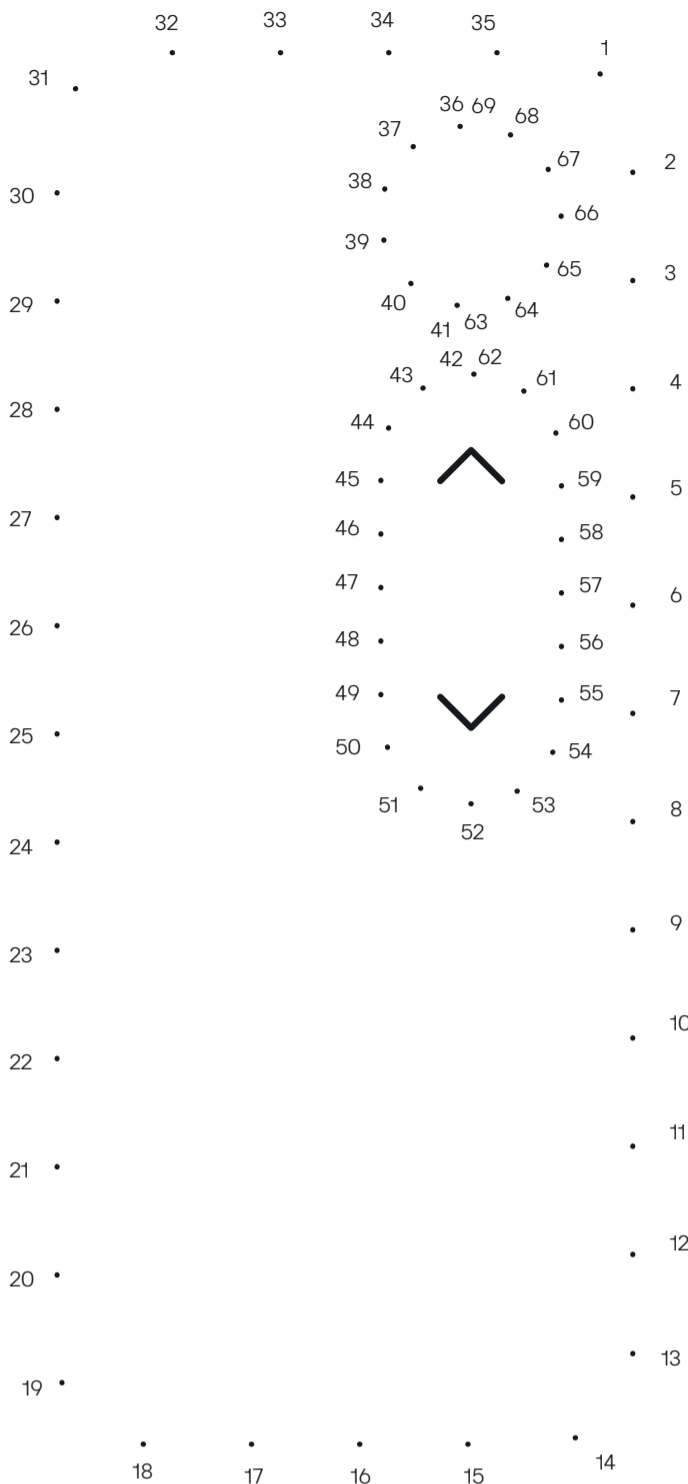
[www.owow.io](mailto:info@owow.io)  
[info@owow.io](mailto:info@owow.io)

**scan** is part of the **midis** series: a new range of midi controllers that enable musicians, DJs, and all kinds of artists to be more free in their creation and expression. At home, in the studio, or live on stage. Controlling music, lights, visuals, and other great ways of performing.

Get social

Share videos of your most creative way of using your midis and get internet fame like never before.

Send your videos to our Facebook page or email to [info@owow.io](mailto:info@owow.io).



Connect the dots on the left and surprise yourself with the result. Good luck. You can do this.



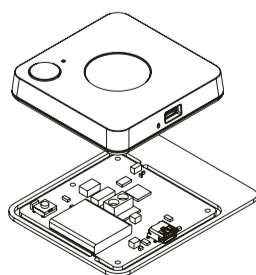
01 wob

**wob** enables you to control parameters or trigger samples by moving your hand up and down above the wob.

**For example**, place a filter over your sounds and control your frequencies by moving your hand up and down.

**Or** place an effect like a reverb, on top of a synth and move your hand up and down to control the reverb output.

**Or** trigger multiple drum samples from your favorite drum rack, by placing your hand in various heights above the wob.



Wave your hand for a waving sound. Up and down, as simple as that.

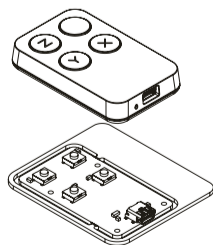


02 wiggle

**wiggle** enables you to control music and effects by tilting the wiggle in all directions, at any speed.

**For example**, control three effects on the three different axes and literally modulate your sound in any direction.

**Or** mount the wiggle on top of your microphone and modulate your voice while moving.



Modulate your sound by tilting in any direction. Turn, twist, rotate, up, down, left, right.



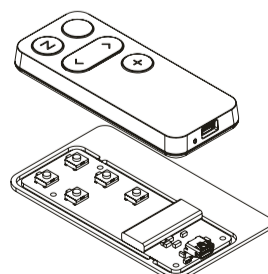
03 drum

**drum** enables you to trigger samples by drumming or shaking the drum in the air. On top of that, you can use effects on the z axis.

**For example**, trigger a kick by drumming left or right and trigger a snare by drumming up or down.

**Or** really emphasize on certain hits in your rhythm, as the drum is highly velocity sensitive.

**Or** modulate your drumming real time by tilting your arm around the z axis.



Drum, shake and play. Air drumming just became real.



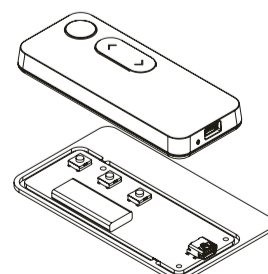
05 scan

**scan** enables you to translate drawn black dots, lines or patterns into music, by simply scanning them.

**For example**, have a certain melody in your head? Just draw it out in dots, see what happens when you scan it, and be surprised by the result.

**Or** draw and scan random lines to create unexpected cool sweeps or build-ups.

**Or** record your drawings at any time to create awesome loops.



Draw melodies, rhythms or soundscapes. Scan and translate it all into music.